

Blinds★Supermarket

how to fit and care for your **venetian blind**

IN ORDER TO KEEP YOUR BLIND SAFE IN TRANSIT, THE BRACKETS ARE PACKED SEPARATELY AND ENCLOSED AT ONE END OF THE BOX. PLEASE CHECK THOROUGHLY BEFORE DISCARDING ANY PACKAGING.

aftercare

To ensure your Venetian blind stays looking its best for many years to come, follow the straightforward operating and cleaning instructions below:

Operating Instructions

- The cord on the Venetian operates the height of the blind
- The wand operates the angle of the slats
- To raise the blind, pull the cord down until the blind reaches your desired height
- To lower the blind, pull the cord across the face of the blind to release the cordlock and let the cord slide through your fingers
- Twist the wand to adjust the angle of the slats
- Slats should be in the open position when raising or lowering the blind

Cleaning

- Use a dry duster, damp cloth or vacuum cleaner with wall-cleaning attachment to clean your Venetian
- Care should be taken not to bend slats while cleaning
- If your blind becomes very dirty, wash it with soap and water

WARNING

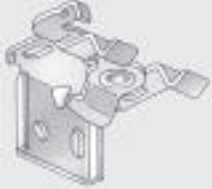
IN THE INTEREST OF SAFETY, PLEASE KEEP ALL PULL CORDS AND CHAINS OUT OF THE REACH OF CHILDREN. MOVE COTS, BEDS AND OTHER FURNITURE AWAY FROM BLINDS AND INSTALL SAFETY DEVICES SUCH AS CLEATS AND CORD TIDIES TO LIMIT ACCESS TO CORDS.

aluminium venetian blinds

fitting instructions

fittings

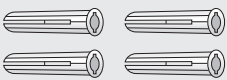
- 1** Brackets: quantity to suit length of blind



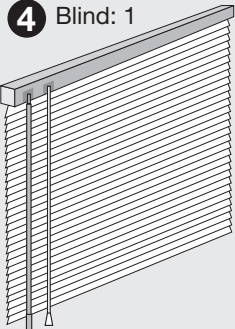
- 2** Screws: min 4



- 3** Rawl plugs: min 4



- 4** Blind: 1



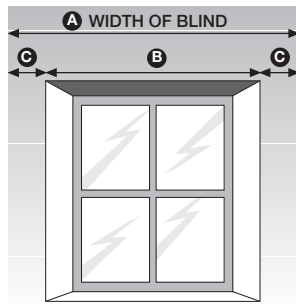
Detachable wand control

Outside Recess

If fitting the blind outside the window, measurements **(C)** will need to be the same. To work out **(C)**, simply minus **(B)** from **(A)** and divide the answer by two. Follow instructions for FACE FIXING

Inside Recess

Decide whether to FACE or TOP FIX. FACE FIX to fit the bracket to the window frame. TOP FIX to the lintel if the window frame is uPVC, or if there are any obstructions, e.g. window handles.

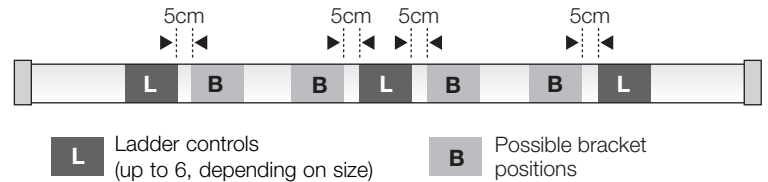


TOP FIX FACE FIX

step one

Place blind in fitting position and tilt forward to show ladder controls. When fitting the brackets, you will need to leave at least 5cm either side of any cords.

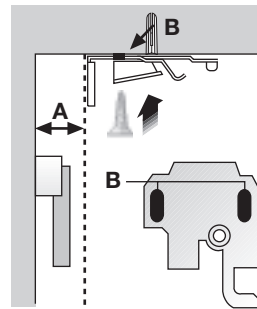
View from above



step two

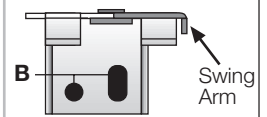
Top Fixing

Measure the distance that any handles protrude from the frame, **A**. Mark this measurement on the lintel and use it to position the back of the bracket. Mark the position of holes **B** and screw bracket to lintel using screws and rawl plugs supplied.



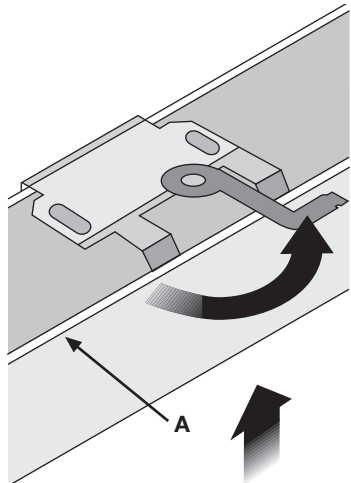
Face Fixing

Position bracket with swing arm facing towards you, and mark holes **B**. Screw bracket in place. Use rawl plugs if fitting to the wall.



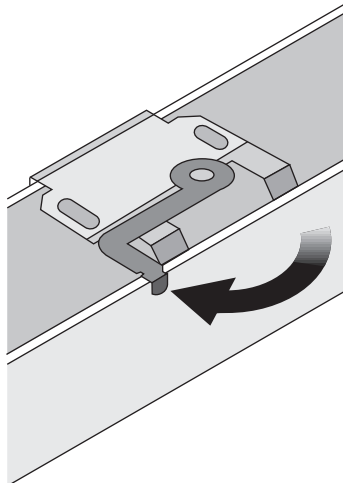
step three

Push swing arm anti-clockwise as far as it will go. Now clip the blind over the bracket, first easing the front lip of the headrail **A** into place, before the back corner clicks in.



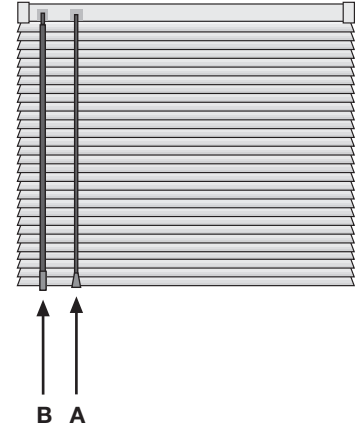
step four

Push swing arm clockwise until it locks into place, firmly holding the blind headrail.



step five

Use cord control **A** to raise and lower the blind. The wand control **B** turns to adjust the slat angle.



step six

If you would like more information or help with fitting your blind, please call
0845 604 9612 8.30am - 6.00pm Monday to Friday and 9.00am - 1.00pm Saturday